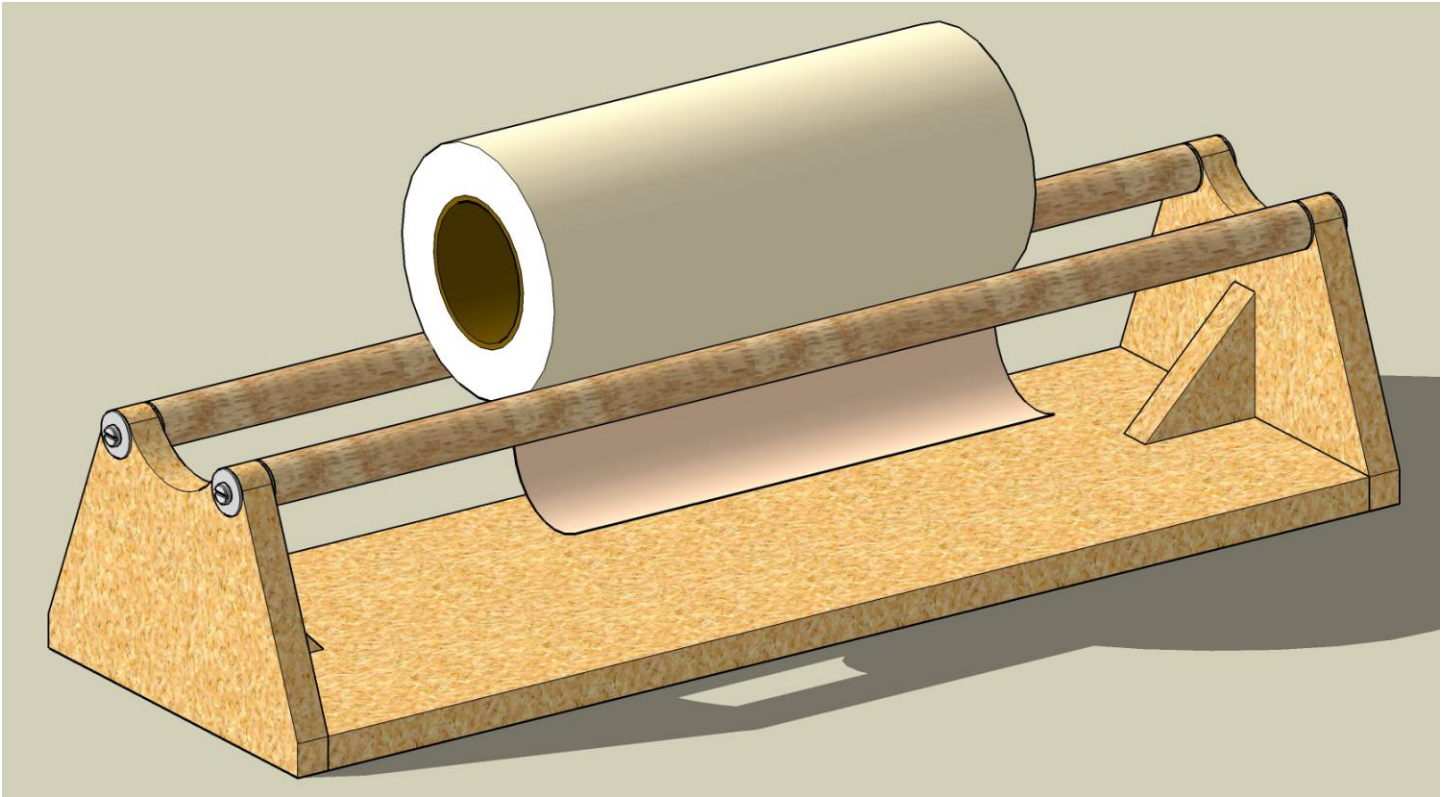
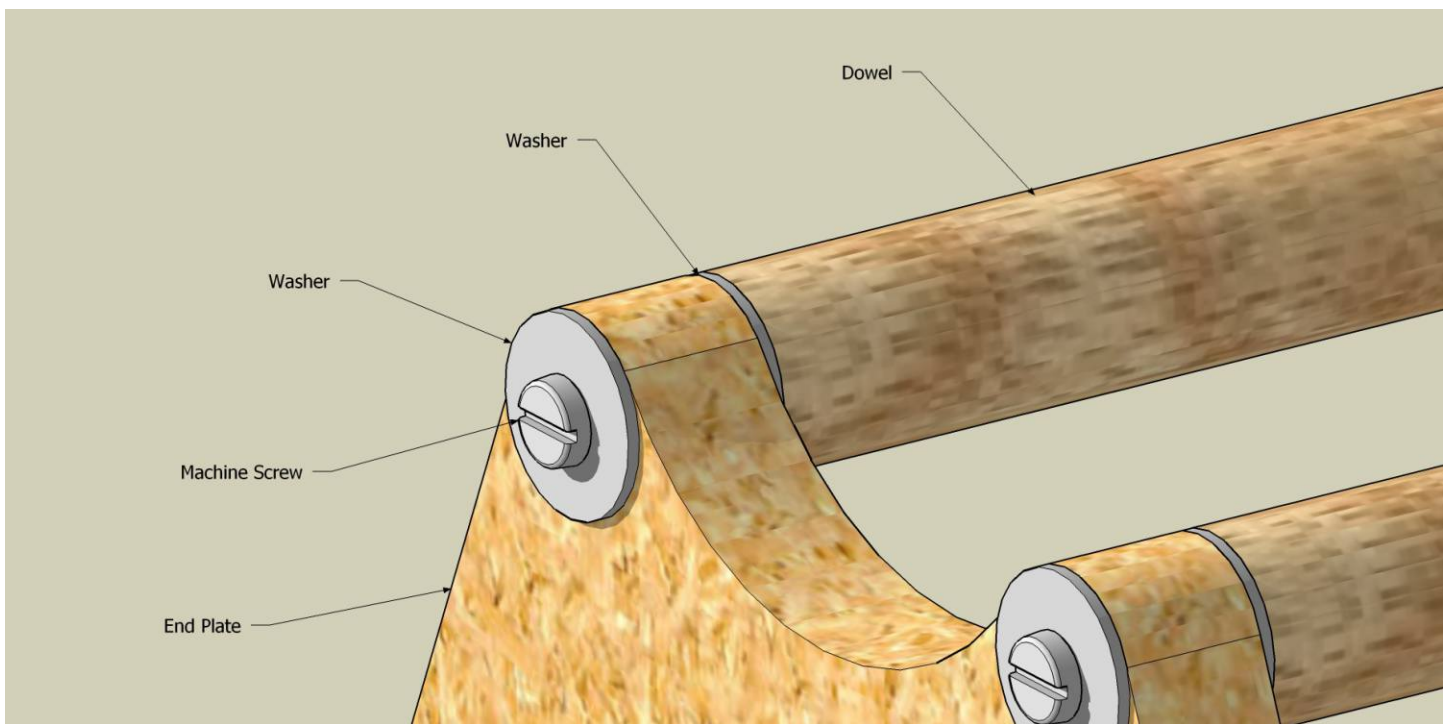
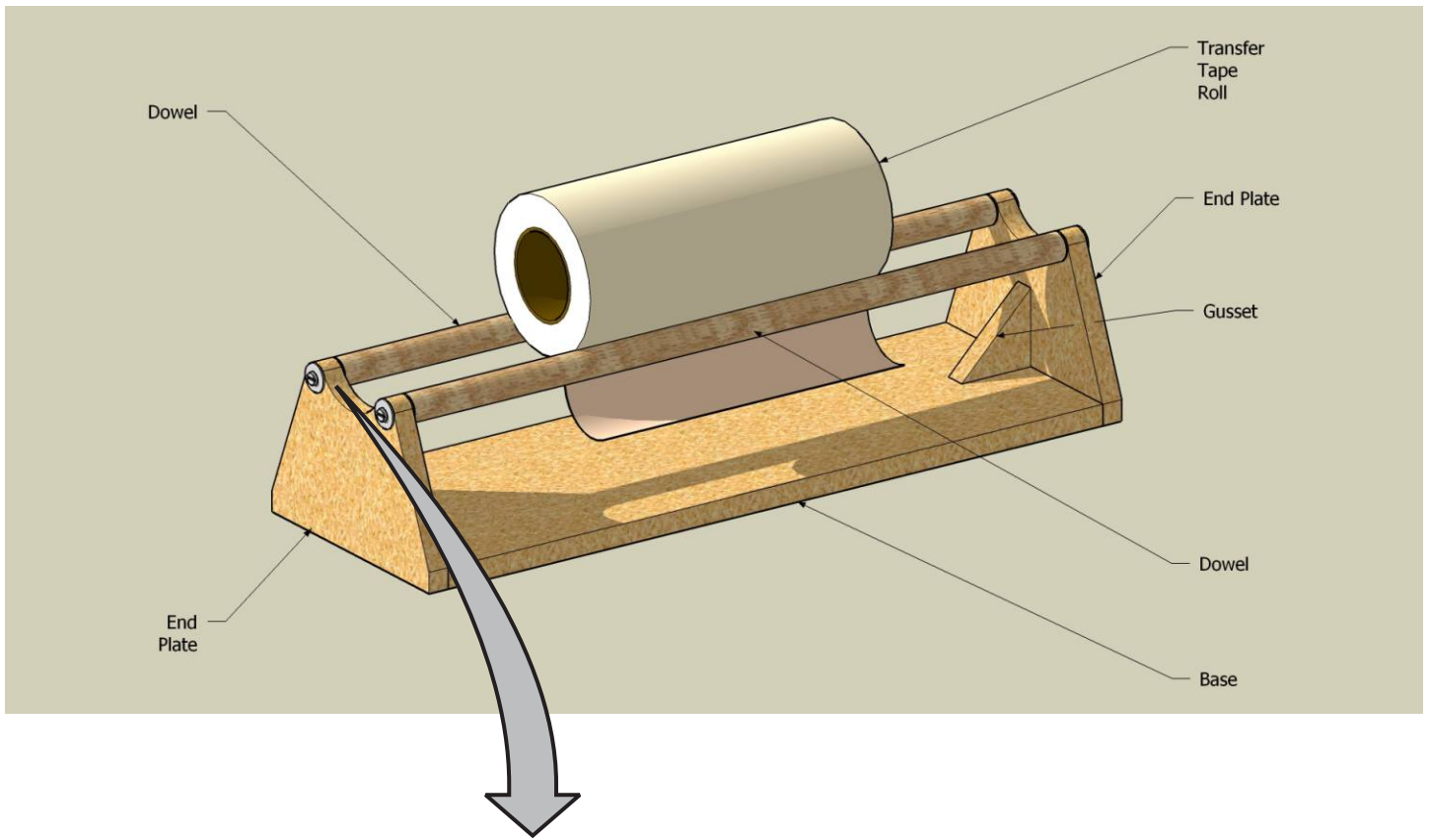


# Transfer Tape Dispenser Construction Plans



***Here's a handy dispenser for rolls of Transfer Tape. No more wrinkles on your tape or ruined masks. The dispenser will hold rolls of tape up to 24" in length.***

# Transfer Tape Dispenser Parts Identification



# Transfer Tape Dispenser

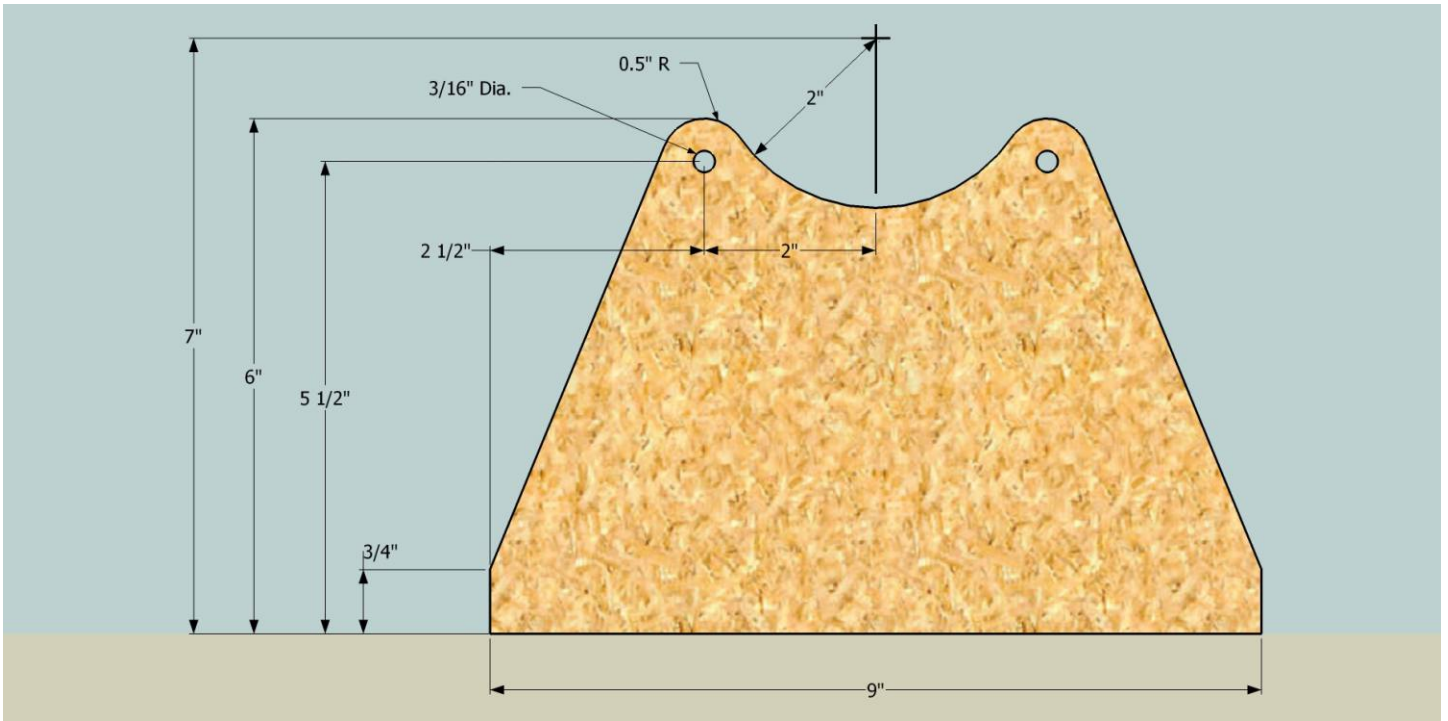
## Bill Of Materials

Name	Quantity	Length	Width	Thickness	Material
End Plate	2	9"	6"	3/4"	OSB or Plywood
Base	1	26"	9"	3/4"	OSB or Plywood
Gusset	2	2 3/4"	2 3/4"	3/4"	OSB or Plywood
Dowel	2	25 7/8"	1"	1"	Hardwood
Sheet Metal Screw	4	1 3/4"	3/16"		Steel
Fender Washer	8		1" OD	1" OD	Steel
Non-Skid Mat	1	27 1/2"	9"		Rubber

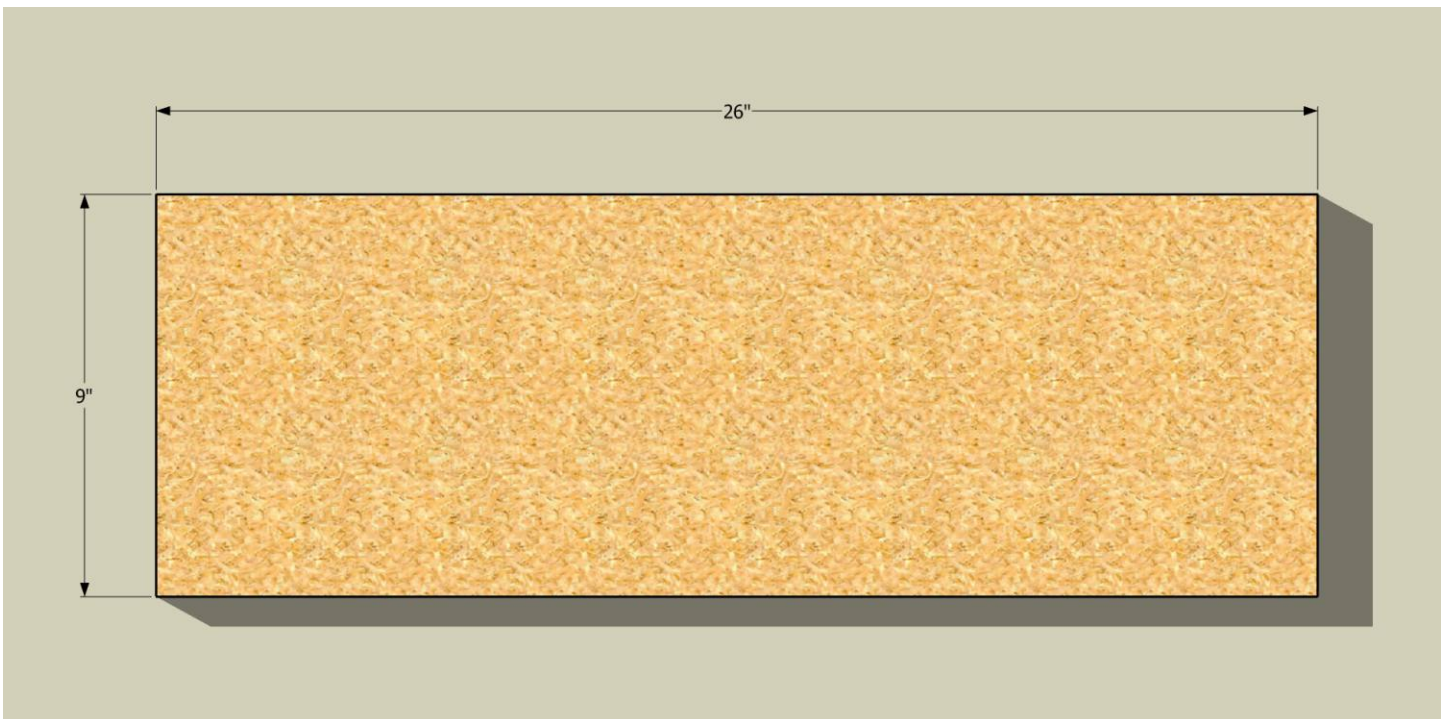
## Assembly Instructions

- Cut all wood pieces to size, sand as required.
- Glue and screw End Plates to Base.
- Attach Gusset to inside corners of End Plate and Base for stability.
- Cut dowel rods slightly shorter than space between End Plates to accommodate 2 fender washers.
- Drill pilot hole in center of each end of dowel rods for sheet metal screws.
- Holes in End Plates for Sheet Metal Screws should be the same diameter as the outer diameter of the screw threads. The screws should just spin in these holes.
- Assemble the dowels to the base as shown, with a fender washer behind the head of the screw and a second between the End Plate and Dowel.
- Tighten the screws only enough to take up slack, leaving them loose enough for the dowels to spin.
- Gluing a piece of rubber non-skid shelf liner to the bottom of the unit will help keep the dispenser from sliding across the table as you pull the tape out for application.

# Transfer Tape Dispenser Individual Part Details



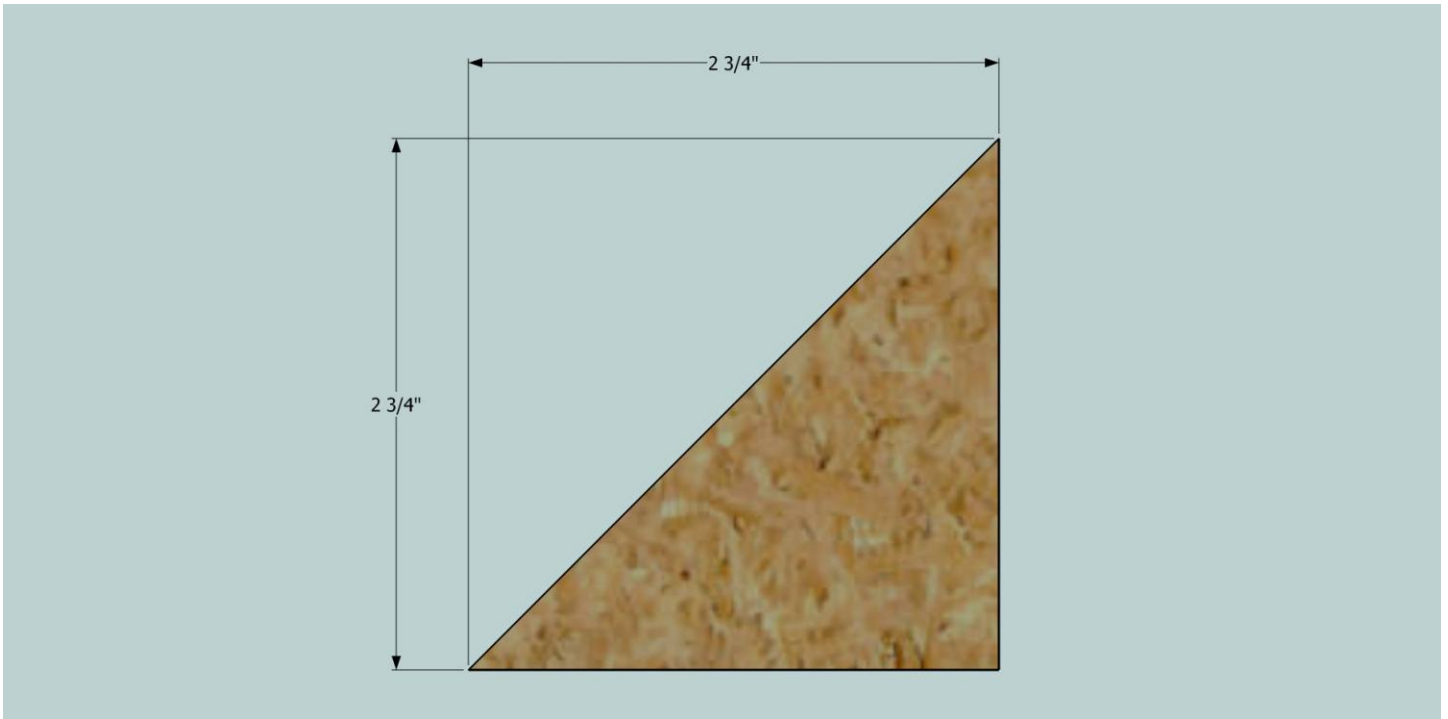
**End Plate**



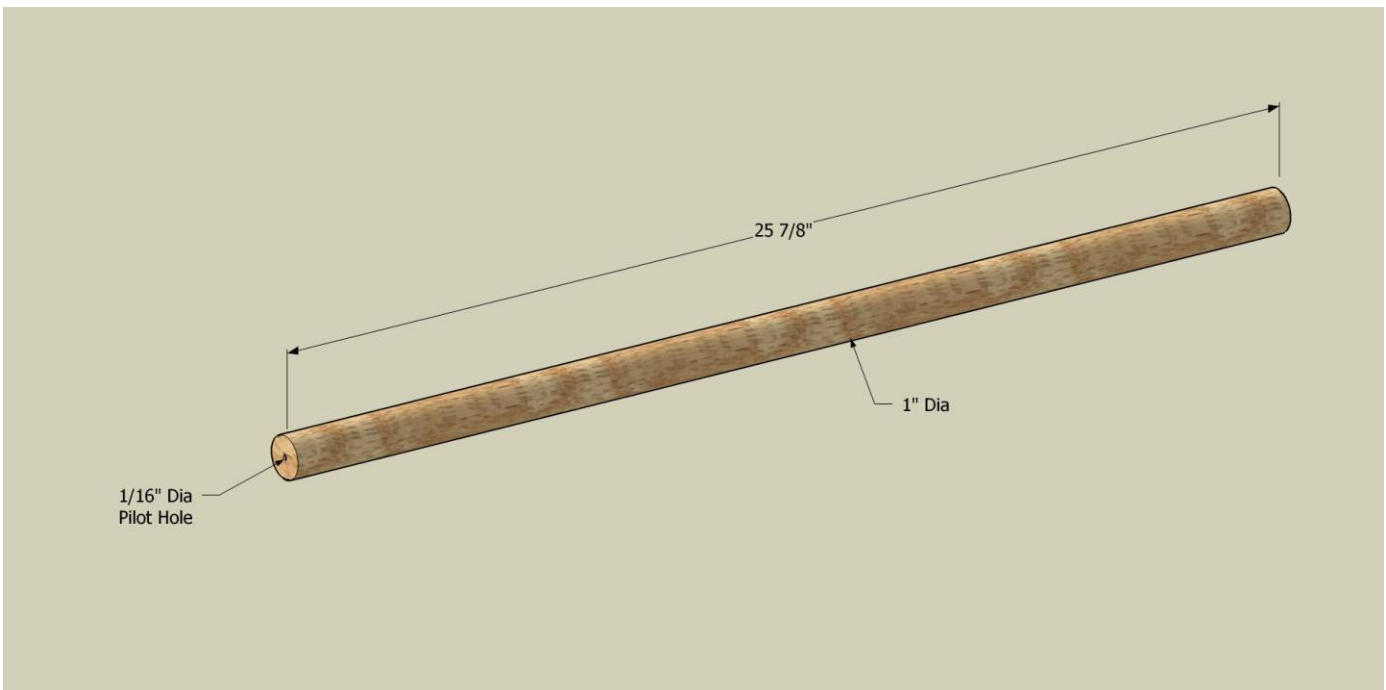
**Base**



# Transfer Tape Dispenser Individual Part Details (Cont.)



**Gusset**



**Dowel**