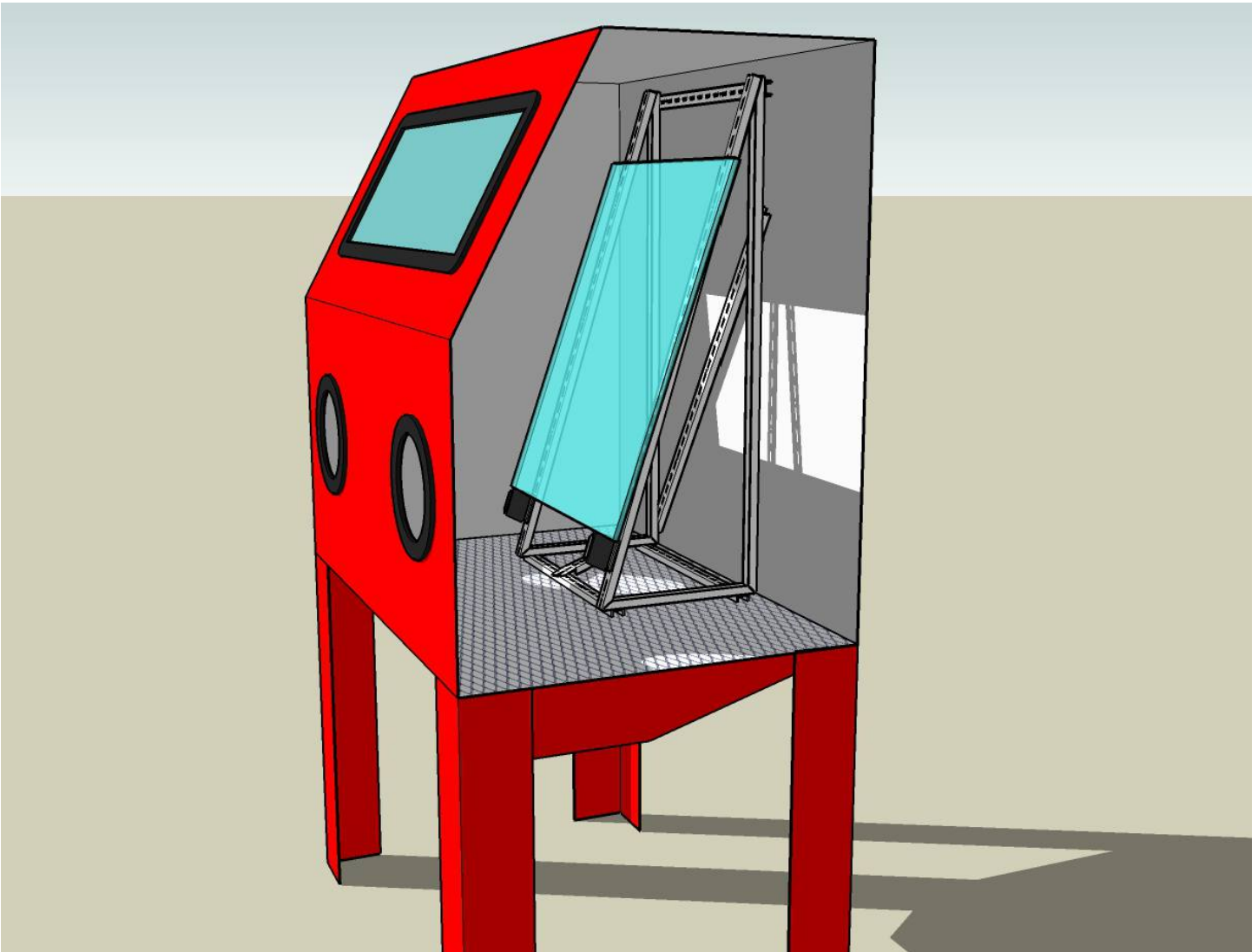


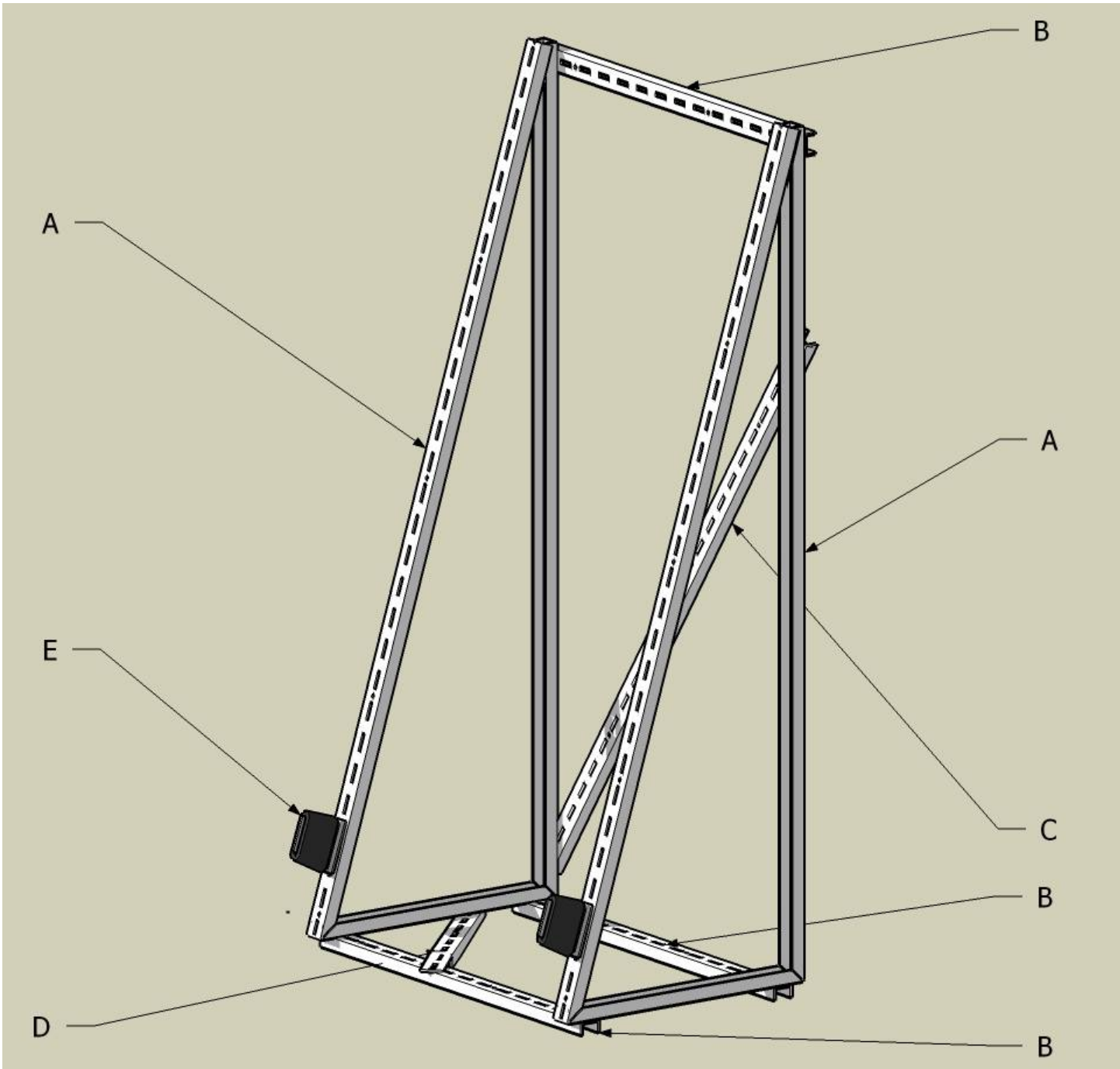
# Cabinet Easel Construction Plans



***Here's a simple and inexpensive way to make blasting a little easier. Build a cabinet easel!***

***This one is made with shelf standards, but the principal is the same no matter what material you use. The standards are handy, and less work, because with a little cutting and bending, you can easily bolt together an easel with adjustable material supports.***

# Cabinet Easel Parts Identification



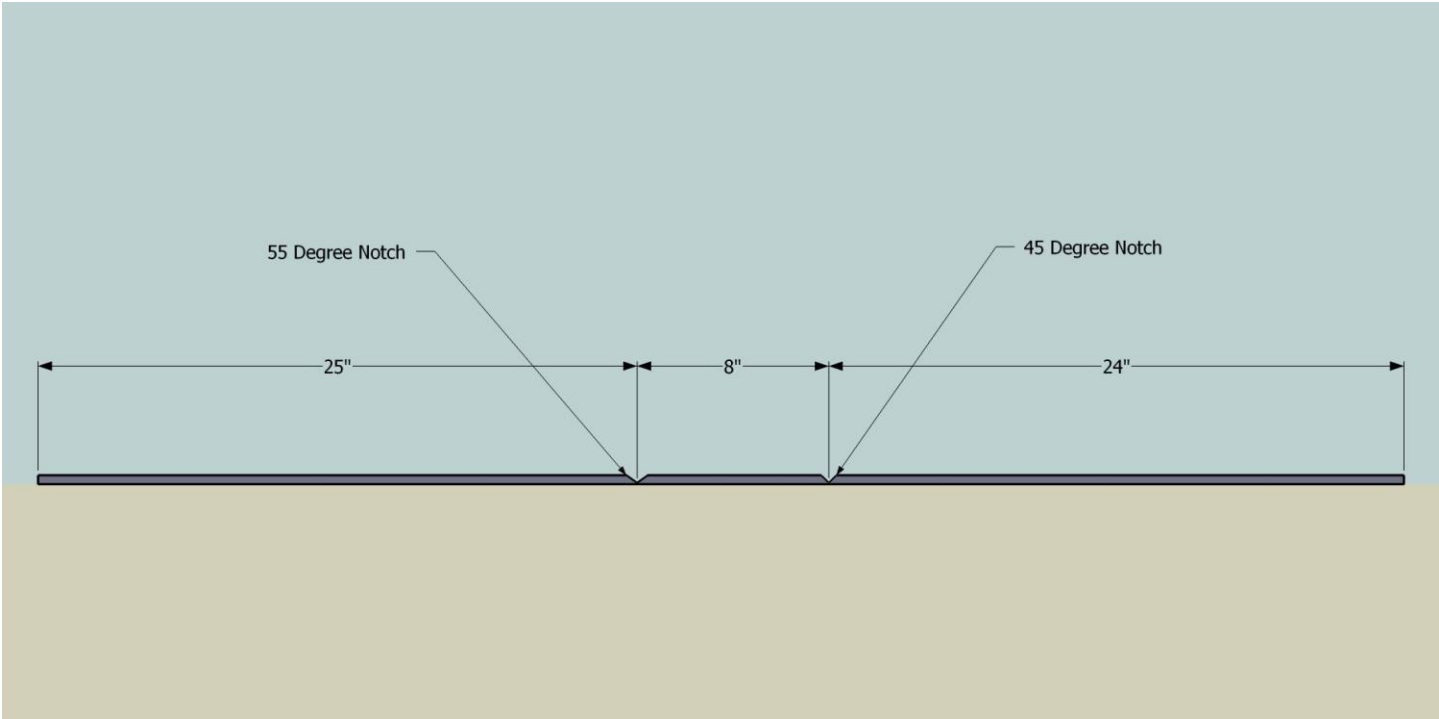
# Cabinet Easel Bill Of Materials

Item	Name	Qty	Material	Length
A	Side Frame	2	5/8" x 3/8" Adjustable Shelf Channel	57"
B	Spacer	3	5/8" x 3/8" Adjustable Shelf Channel	12"
C	Back Brace	1	5/8" x 3/8" Adjustable Shelf Channel	21"
D	Bottom Brace	1	5/8" x 3/8" Adjustable Shelf Channel	7 1/2"
E	Shelf Bracket	2		

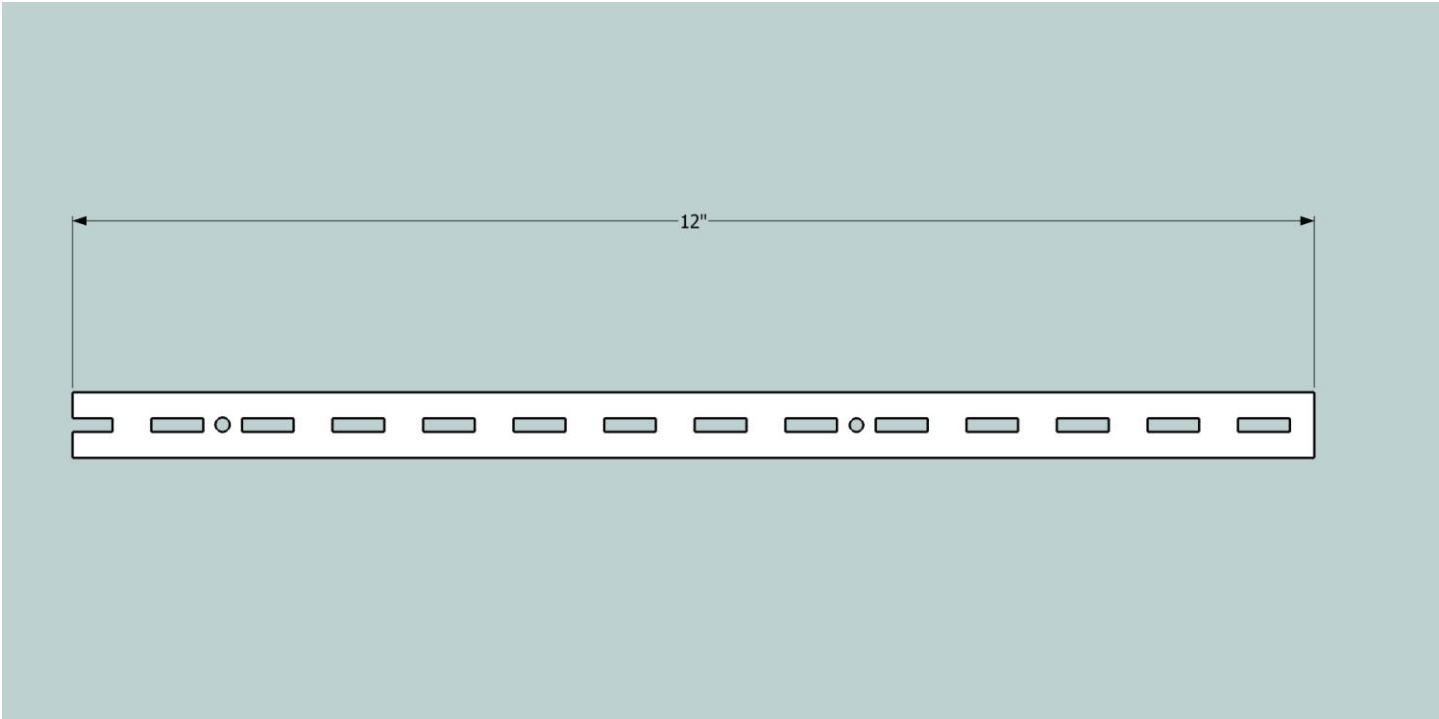
## Notes for Assembly

1. Sizes given in these plans are only suggestions and can be adjusted to your personal requirements.
2. Cut all parts and file cut edges to remove burrs. Bend the 2 notched brackets (A) at the notches to form a pair of triangles. Two of the spacers (B) serve as feet, and the third is a top brace.
3. Assemble with machine screws, washers and nuts or tack-welding.
4. Cut excess length off shelf brackets and wrap a protective layer of Duct tape or electricians tape around bracket to keep glass from slipping.

# Cabinet Easel Individual Part Details



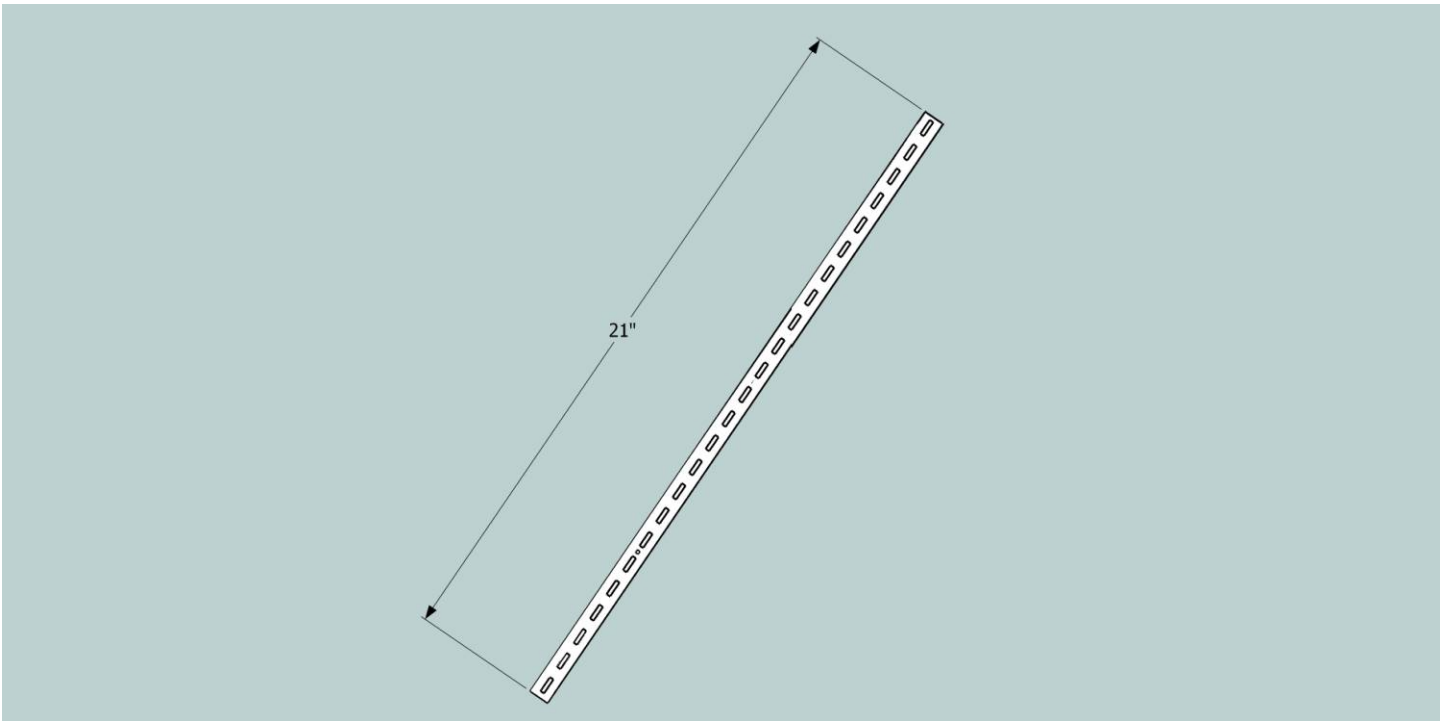
A) Detail



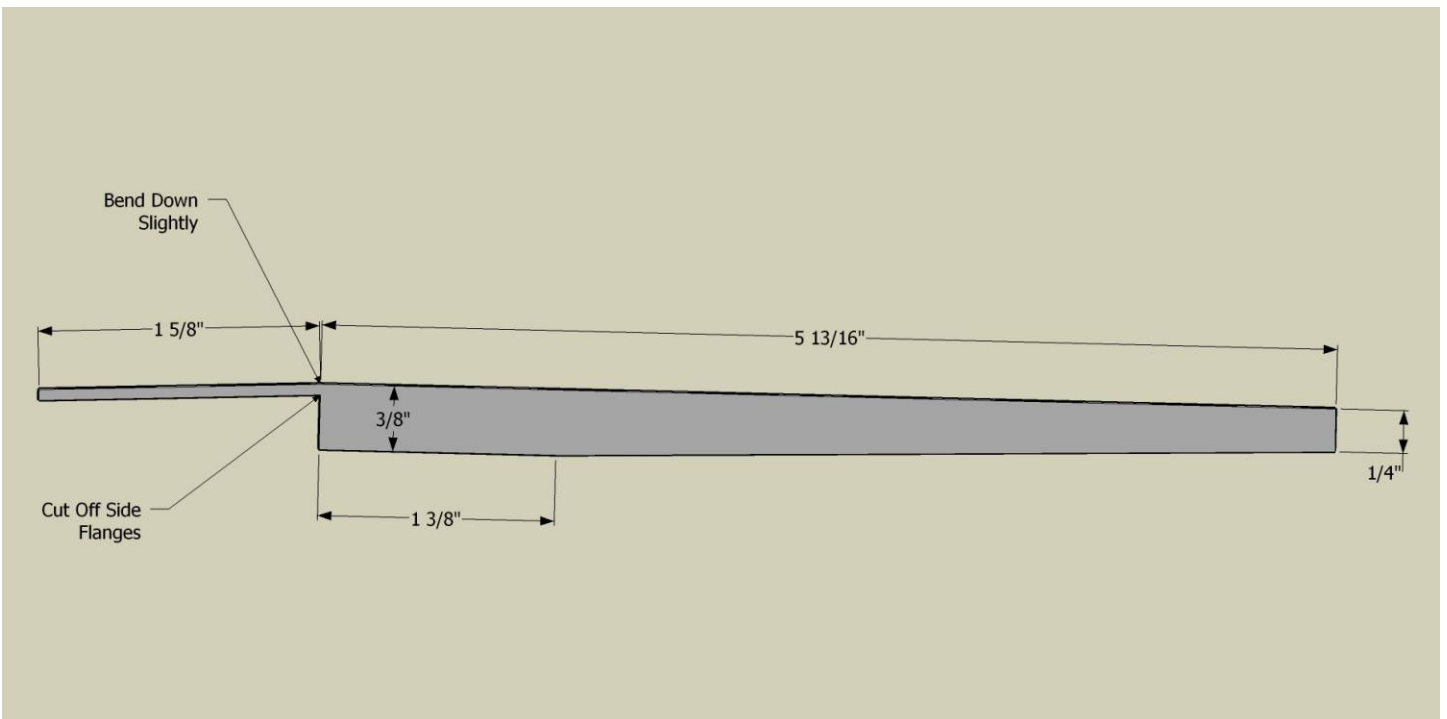
B) Detail

# Cabinet Easel

## Individual Part Details (Cont.)



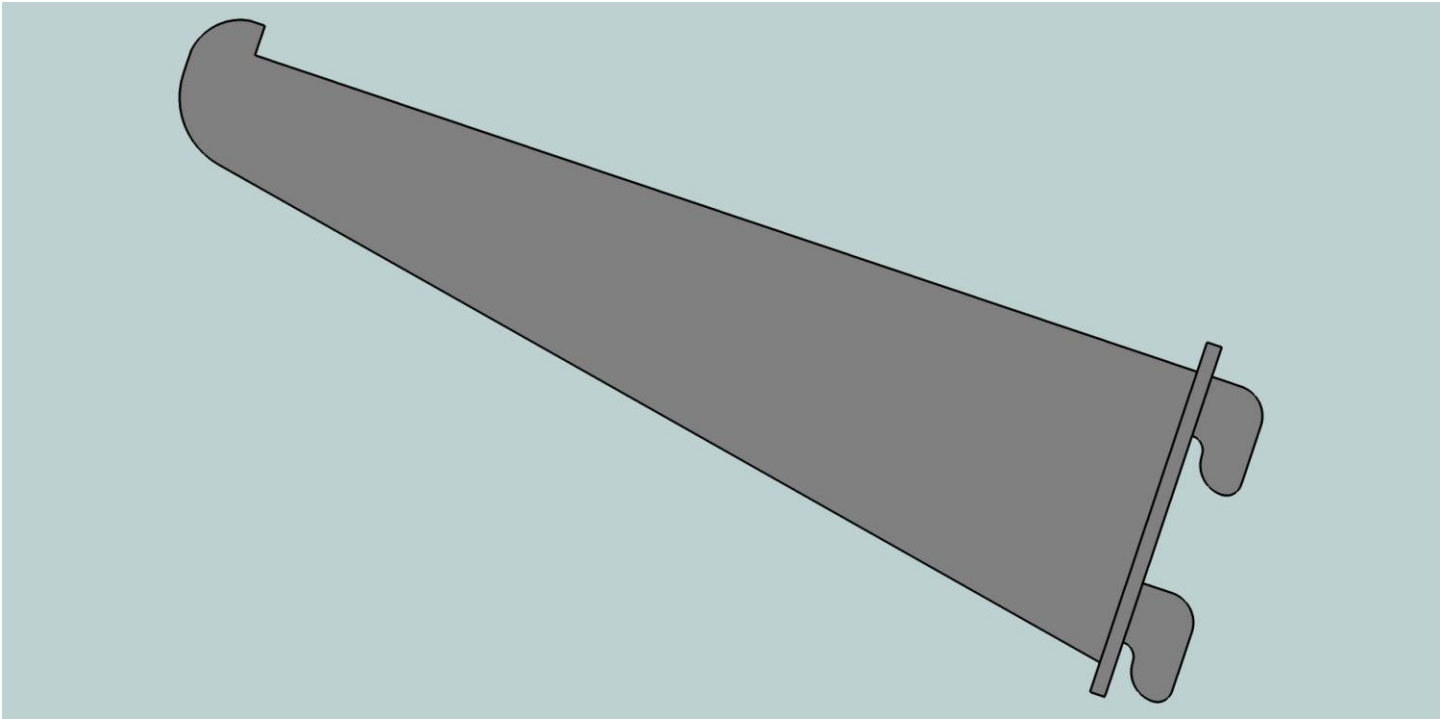
C) Detail



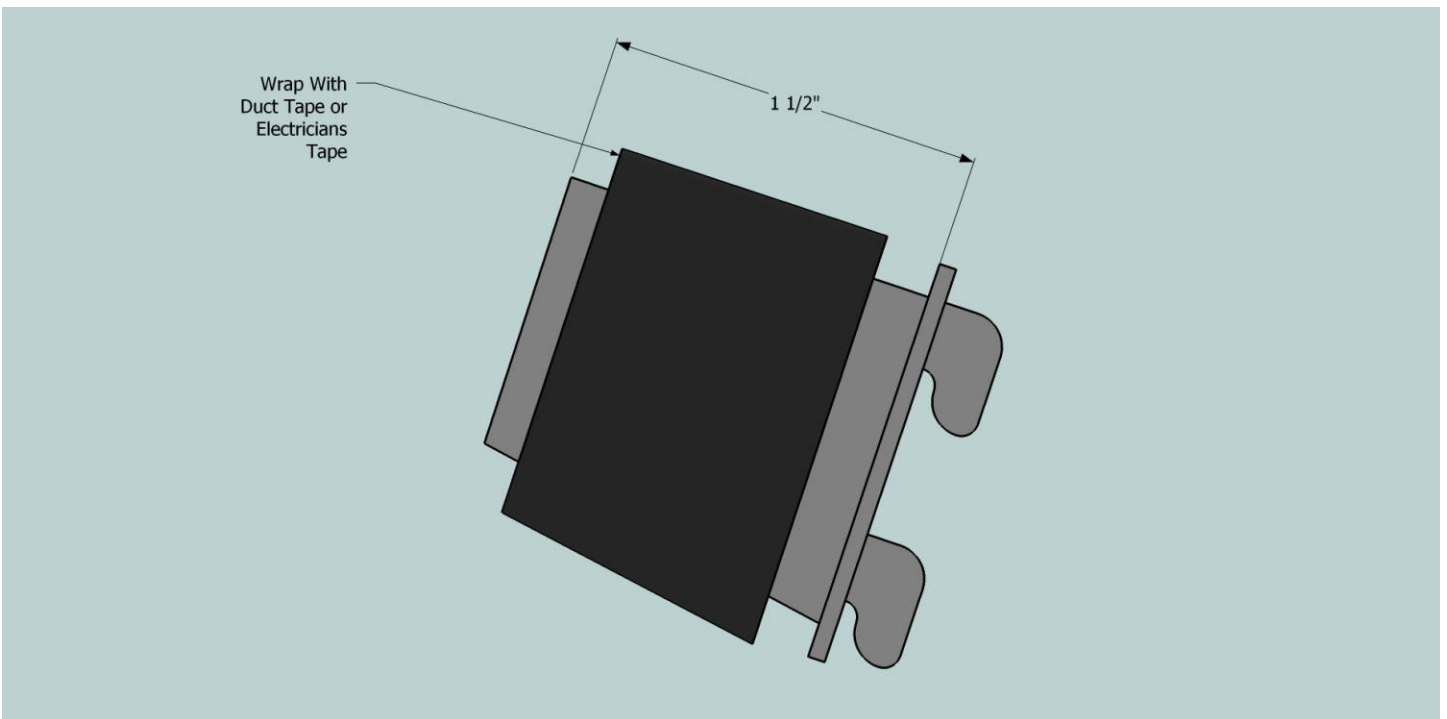
D) Detail

# Cabinet Easel

## Individual Part Details (Cont.)



Source Shelf Bracket



E) Detail